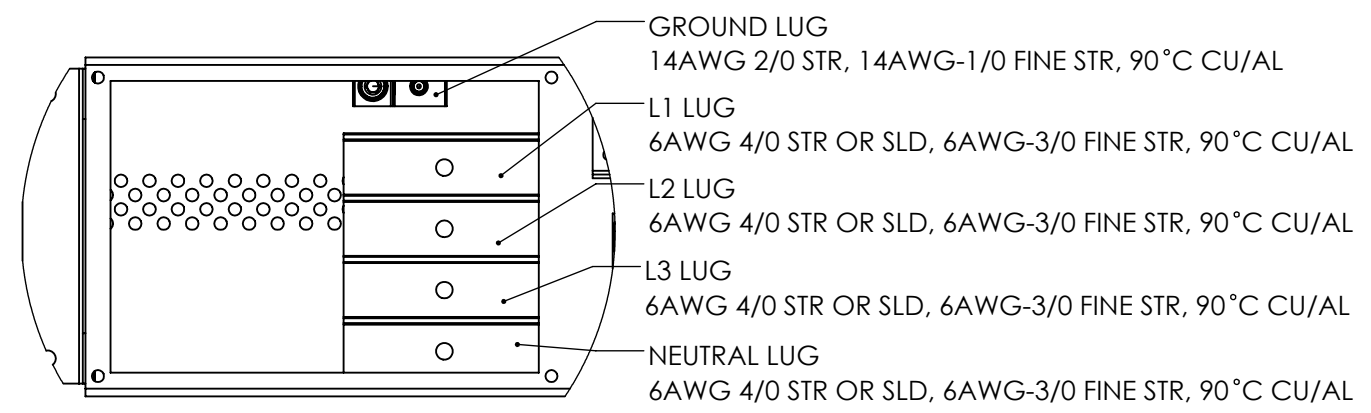
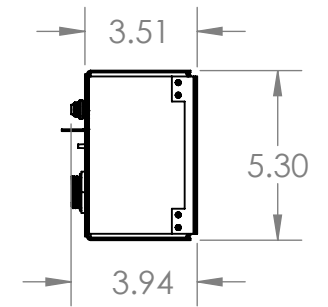
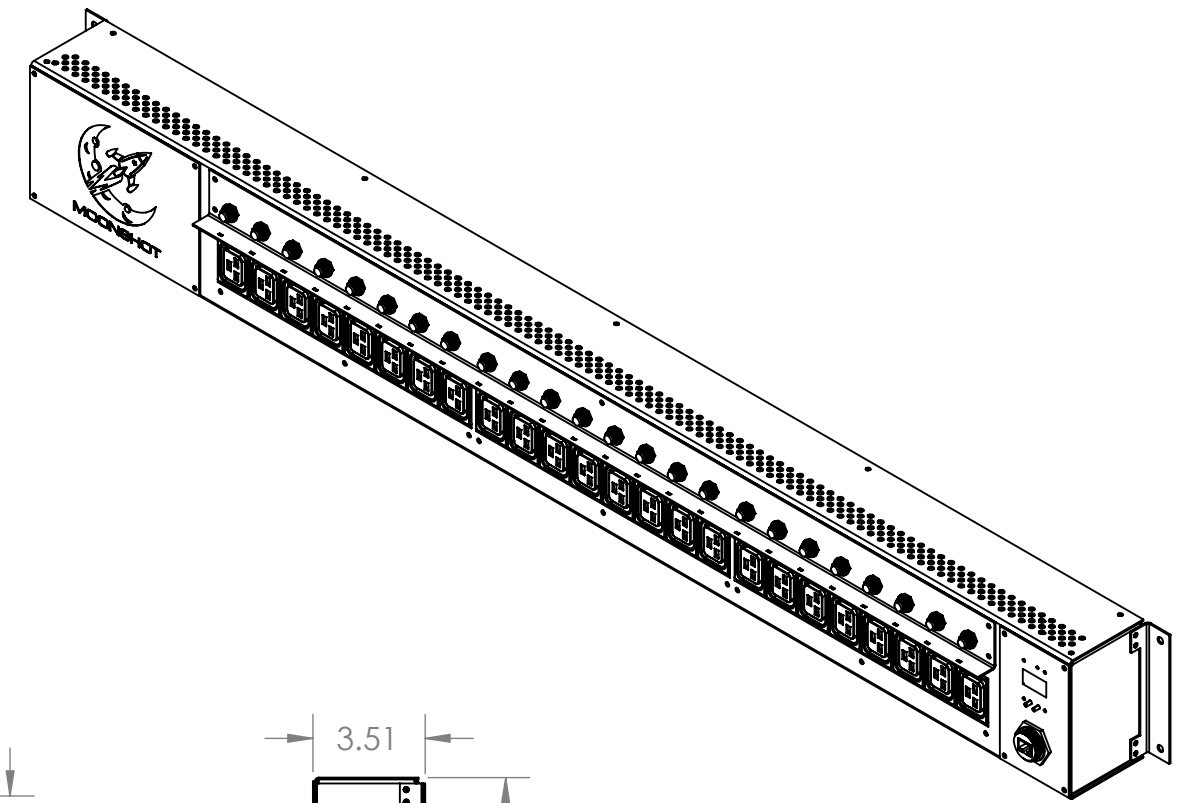
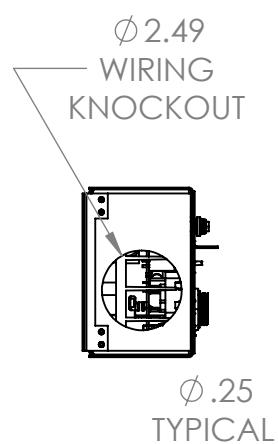
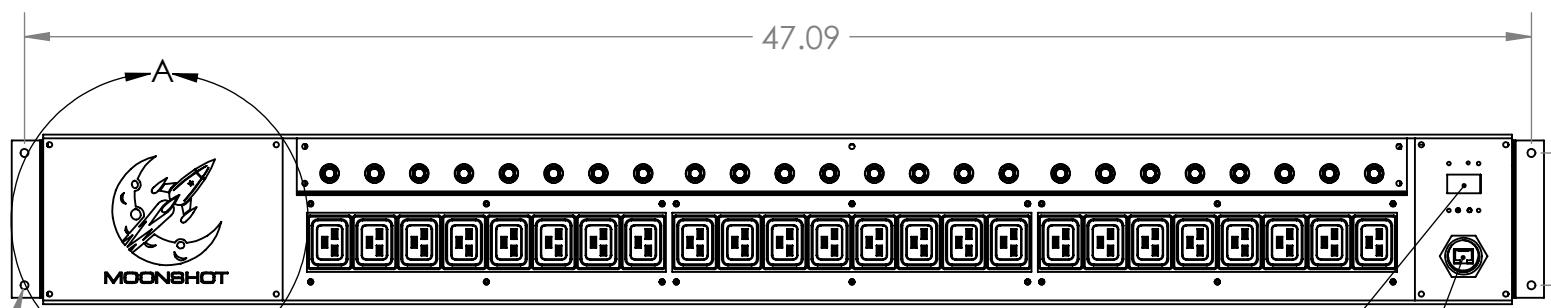
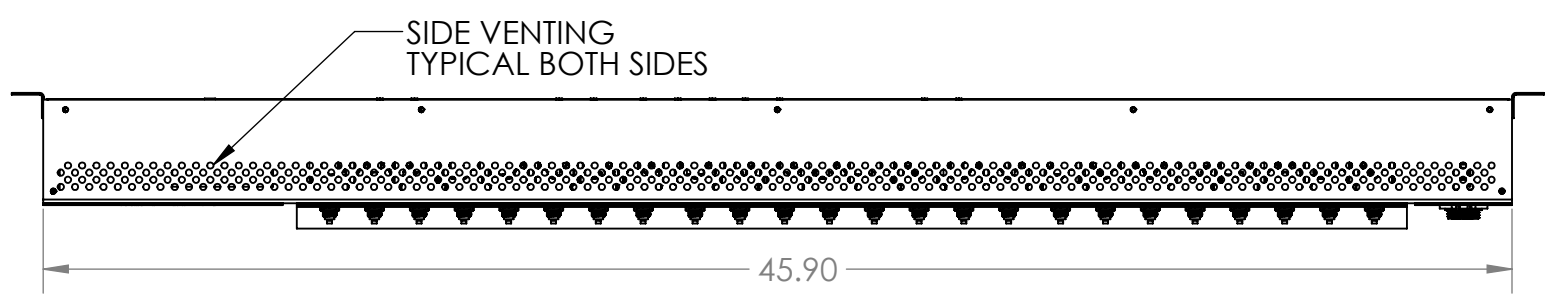
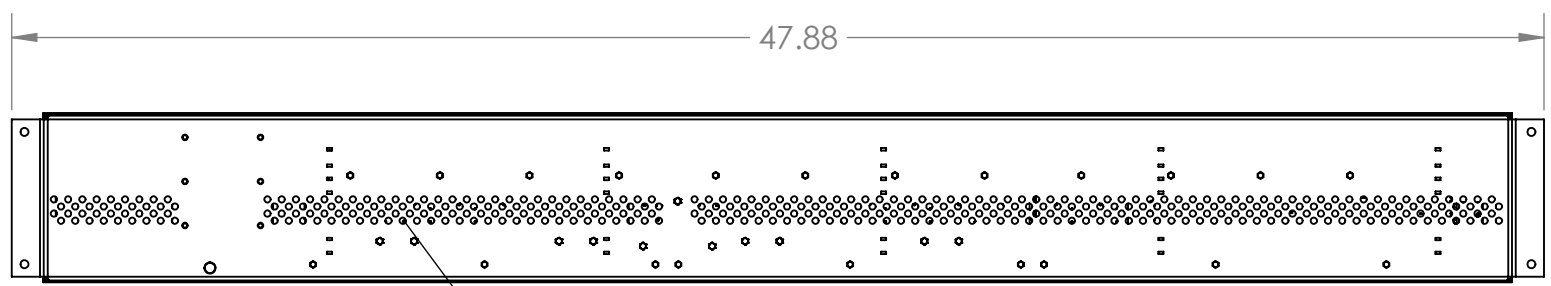


	MOONSHOT PART NUMBER	ETL PART NUMBER	OUTLET COUNT	OUTLET CURRENT PROTECTION
LEVIATHAN 2	MS-PDU2-D24L	700-029-R1	24	20A
LEVIATHAN S2	MS-PDU2-S24L	700-028-R1	24	20A



DETAIL A
SCALE 1 : 3
(SHOWN WITH WIRING COVER REMOVED)



PROPRIETARY AND CONFIDENTIAL
THE INFORMATION CONTAINED IN THIS DRAWING IS THE SOLE PROPERTY OF MOONSHOT PODS LLC. ANY REPRODUCTION IN PART OR AS A WHOLE WITHOUT THE WRITTEN PERMISSION OF MOONSHOT PODS LLC IS PROHIBITED.

UNLESS OTHERWISE SPECIFIED:		NAME	DATE
DIMENSIONS ARE IN INCHES		DRAWN	BN
TOLERANCES:		CHECKED	
FRACTIONAL ± 1/16		ENG APPR.	
ANGULAR: ± 2° BEND ± .05		MFG APPR.	
TWO PLACE DECIMAL ± .030		Q.A.	
THREE PLACE DECIMAL ± .015		COMMENTS:	
INTERPRET GEOMETRIC TOLERANCING PER:			
MATERIAL			
FINISH	PAINTED		
DO NOT SCALE DRAWING			
NEXT ASSY	USED ON		
APPLICATION			

TITLE: 24 PORT PDU MECHANICAL DRAWINGS		
SIZE B	DWG. NO. 503-001-R2	REV
SCALE: 1:8	WEIGHT:	SHEET 1 OF 1